

PROSTAIR BOTTON

PROSTAIR BOTTON STRIP



DESCRIPTION

PROSTAIR BOTTON AND PROSTAIR BOTTON STRIP are tactile anti-slip botton and strip made in stainless steel AISI 316/1.4401-V4A. They have the function to realize the signaling lanes on the floor, and warning stairs, able to guide the blind and visually impaired. **PROSTAIR BOTTON TEMPLATE** is a mould, made in zinc-plated steel, which allows to mark the points where to drill and install **PROSTAIR BOTTON**.

MATERIAL

PROSTAIR BOTTON AND PROSTAIR BOTTON STRIP are tactile anti-slip button and strip made in stainless steel AISI 316/1.4401-V4A. **PROSTAIR BOTTON** is available in diameter of 3,5 cm and a thickness of 5mm and is provided with a stem, 2 cm high, for its fastening. **PROSTAIR BOTTON STRIP** is available in length of 28.5 cm, a width of 3.5 cm and a thickness of 5mm and is provided with 3 stems, 2 cm high, for its fastening. **PROSTAIR BOTTON TEMPLATE** has a size of 30 x 44.5 cm and 48 holes of a diameter 4 mm. It has circular joints for the connection to other moulds.

AREAS OF USE

PROSTAIR BOTTON AND PROSTAIR BOTTON STRIP in stainless steel AISI 316L / 1.4404 – V4 is suitable for every kind of environment where high resistance to mechanical and chemical stresses is required. They are suitable for indoor and outdoor use, commercial carparks, footpaths, shopping centres etc in areas to warn the vision impaired of a change in their immediate surroundings. **PROSTAIR BOTTON AND PROSTAIR BOTTON STRIP** are conform to slip resistance requirements R12.

WARNINGS

Do not use **PROSTAIR BOTTON AND PROSTAIR BOTTON STRIP** in stainless steel AISI 316L / 1.4404 – V4 in environments where very strong substances are used.

MAINTENANCE

PROSTAIR BOTTON AND PROSTAIR BOTTON STRIP do not require any special maintenance. It is suggested to clean them with normal household cleaning products.

LAYING INSTRUCTIONS

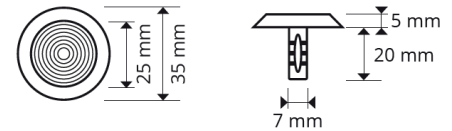
PROSTAIR BOTTON

- 1.Put **PROSTAIR BOTTON TEMPLATE** on the desired zone.
- 2.Mark on the support the position of the holes
- 3.Remove the template and drill the substrate with a tip 4 mm for a depth of approximately 2.5 cm
- 4.Open the holes already made with a 8mm drill bit.
- 5.Remove dust residues
- 6.Fill the hole with PROSKIRTING FIX or PROBAND FIX or other suitable adhesive
- 7.Insert in the hole **PROSTAIR BOTTON**.

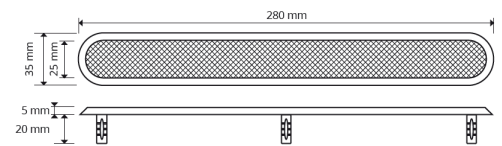
PROSTAIR BOTTON STRIP

- 1.Put **PROSTAIR BOTTON STRIP** on the desired zone.
- 2.Mark the support in correspondance of the stems the points at which pierce
- 3.Drill the substrate with a tip 4 mm for a depth of approximately 2.5 cm
- 4.Open the holes already made with a 8mm drill bit.
- 5.Remove dust residues
- 6.Fill the hole with PROSKIRTING FIX or PROBAND FIX or other suitable adhesive
- 7.Insert in the hole **PROSTAIR BOTTON STRIP**.

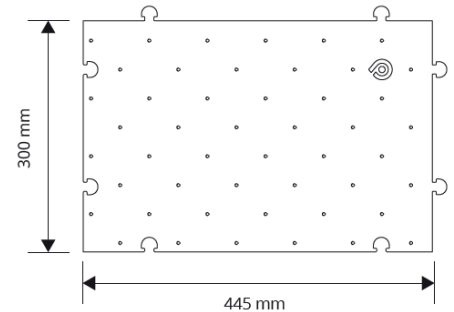
PTRB 3520



PTRB 28035



PTRTEM



TEXT TEMPLATE FOR TENDERS

Delivery and installation of a tactile anti-slip button and strip made in stainless steel AISI 316/1.4401-V4A.. **BOTTOM** with diameter of 3,5 cm and a thickness of 5mm and is provided with a stem, 2 cm high. **STRIP** with a length of 28.5 cm, a width of 3.5 cm and a thickness of 5mm and is provided with 3 stems, 2 cm high, for its fastening. like. **PROSTAIR BOTTON** and **PROSTAIR BOTTON STRIP** of the Progress Profiles company.

- PTRB 320** : tactile antislip botton
- PTRB 28035** : tactile antislip strip
- PTRTEM** : mold for installation

Botton number: _____pz
 Strip Number: _____pz
 Mod number: _____pz
 Material: _____€/pz
 Application: _____€/sqm
 Total Value: _____€/sqm